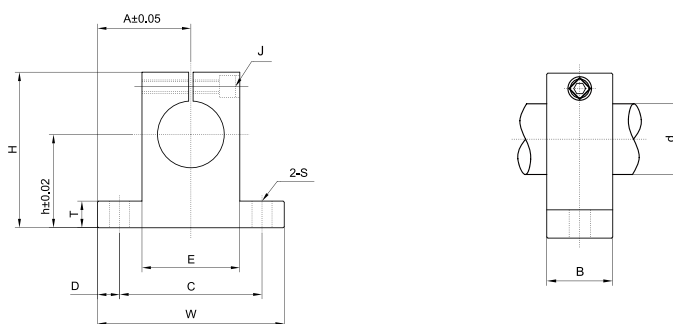




SH 系列窄设计直线轴承座 SH Pillow block, Short design



订购编码 Order P/N	轴径 Shaft mm <sup>2</sup>	尺寸 Size (mm <sup>2</sup> )											重量 (g) Weight
		h	A	W	H	T	E	D	C	B	S	J	
SH-10	10	20	21	42	32.8	6	18	5	32	14	Φ5.5	M4	24
SH-12	12	23	21	42	37.5	6	20	5	32	14	Φ5.5	M4	30
SH-16	16	27	24	48	44	8	25	5	38	16	Φ5.5	M4	40
SH-20	20	31	30	60	51	10	30	7.5	45	20	Φ6.6	M5	70
SH-25	25	35	35	70	60	12	38	7	56	24	Φ6.6	M6	130
SH-30	30	42	42	84	70	12	44	10	64	28	Φ9	M6	180
SH-40	40	60	57	114	96	15	60	12	90	36	Φ11	M8	420
SH-50	50	70	63	126	120	18	74	13	100	40	Φ14	M12	750

订购编码 Order P/N: SH - 06

- 轴径  
Shaft diameter
- 标准设计轴支撑  
Shaft end block, Standard design