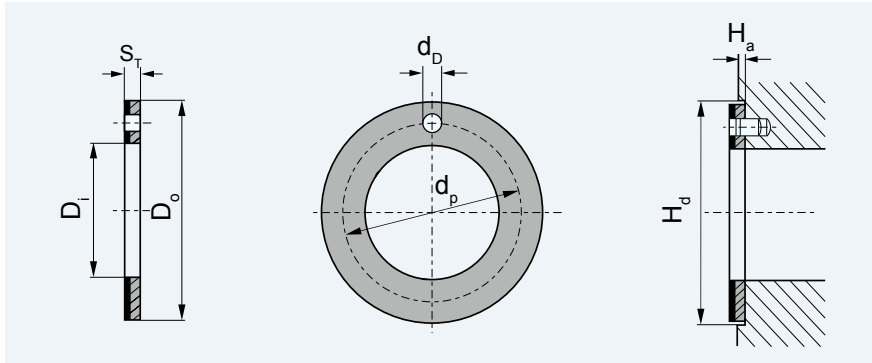


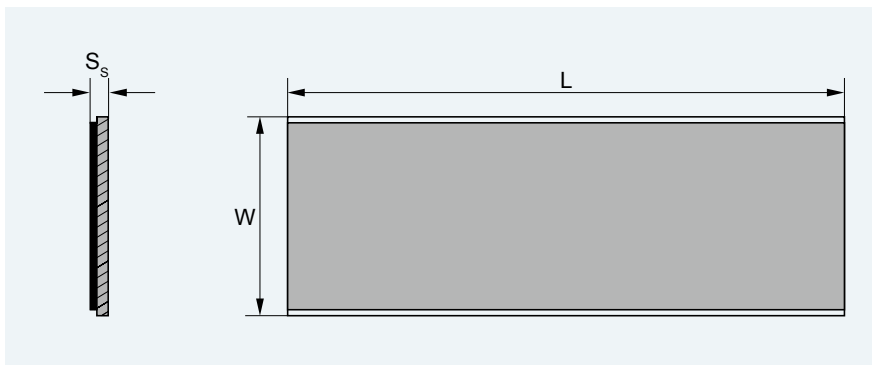
SF-10W 垫片规格及公差 SF-10W Thrust Washer Specification & Tolerance



单位Unit: mm²

轴径 Shaft D _s	型号规格 Standard No.	垫片尺寸 Washer size				安装尺寸 Assemble size		
		D _i +0.25	D _o -0.25	S _T -0.05	d _p ±0.125	d _D ^{+0.4} _{D+0.1}	H _a ±0.2	H _d +0.12
8	W10	10	20		15			20
10	W12	12	24		18	1.5		24
12	W14	14	26		20			26
14	W16	16	30		23	2		30
16	W18	18	32		25			32
18	W20	20	36		28			36
20	W22	22	38	1.5	30		1	38
22	W24	24	42		33	3		42
24	W26	26	44		35			44
26	W28	28	48		38			48
30	W32	32	54		43			54
36	W38	38	62		50			62
40	W42	42	66		54	4		66
46	W48	48	74		61			74
50	W52	52	78	2	65		1.5	78
60	W62	62	90		76			90

SF-10SP 板材规格及公差 SF-10SP Strip Specification & Tolerance



单位Unit: mm²

型号规格 Standard No.	长度 L ± 1	宽度 W ± 1	厚壁 Wall thickness S _s -0.05
SP	500	150	1.0
SP	500	150	1.5
SP	500	150	2.0
SP	500	150	2.5