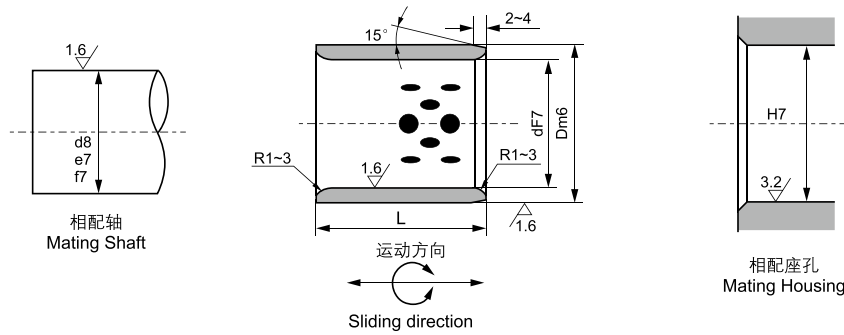




JDB 自润滑直套轴承标准公制尺寸

JDB Self-lubricating Straight Bearings Standard Metric Size



单位Unit: mm

d	D	d F7	D m6	L $\begin{matrix} -0.10 \\ -0.30 \end{matrix}$													
				8	10	12	15	16	20	25	30	35	40	50	60	70	80
8	12	8	12	081208	081210	081212	081215										
10	14	10	14 $\begin{matrix} +0.028 \\ +0.013 \end{matrix}$	101408 $\begin{matrix} +0.018 \\ +0.007 \end{matrix}$	101410	101412	101415	101416	101420								
12	18	12	18		121810	121812	121815	121816	121820	121825	121830						
13	19	13	19		131910	131912	131915	131916	131920	131925	131930						
14	20	14	20		142010	142012	142015	142016	142020	142025	142030						
15	21	15	21 $\begin{matrix} +0.034 \\ +0.016 \end{matrix}$		152110	152112	152115	152116	152120	152125	152130	152135					
16	22	16	22 $\begin{matrix} +0.021 \\ +0.008 \end{matrix}$		162210	162212	162215	162216	162220	162225	162230	162235	162240				
18	24	18	24		182410	182412	182415	182416	182420	182425	182430	182435	182440				
20	28	20	28		202810	202812	202815	202816	202820	202825	202830	202835	202840	202850			
22	32	22	32			223212	223215	223216	223220	223225	223230	223235	223240	223250			
25	33	25	33 $\begin{matrix} +0.041 \\ +0.020 \end{matrix}$			253312	253315	253316	253320	253325	253330	253335	253340	253350	253360		
30	38	30	38			303812	303815	303816	303820	303825	303830	303835	303840	303850	303860		
35	45	35	45						354520	354525	354530	354535	354540	354550	354560	354570	
40	50	40	50 $\begin{matrix} +0.025 \\ +0.009 \end{matrix}$						405020	405025	405030	405035	405040	405050	405060	405070	405080
45	55	45	55 $\begin{matrix} +0.050 \\ +0.025 \end{matrix}$								455530	455535	455540	455550	455560	455570	455580
50	60	50	60								506030	506035	506040	506050	506060	506070	506080

JDB 自润滑直套轴承标准公制尺寸

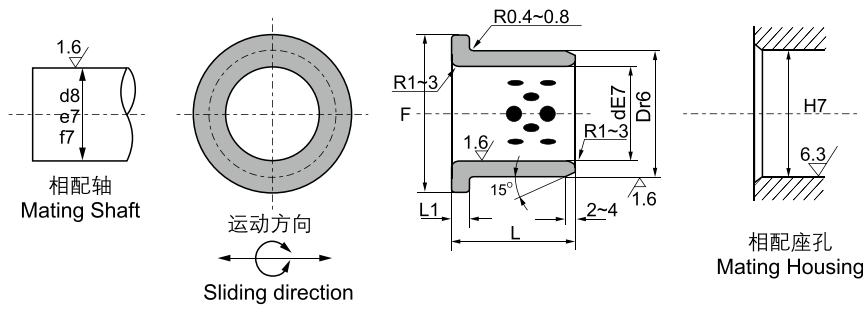
JDB Self-lubricating Straight Bearings Standard Metric Size

单位Unit: mm²

d	D	df7	Dm6	L ^{-0.10 -0.30}											
				30	35	40	50	60	70	80	100	120	130	140	150
50	62	50	62	506230	506235	506240	506250	506260	506270						
50	65	50 ^{+0.050 +0.025}	65	506530	506535	506540	506550	506560	506570	506580	5065100				
55	70	55	70	557030	557035	557040	557050	557060	557070	557080	5570100				
60	74	60	75 ^{+0.030 +0.011}	607430	607435	607440	607450	607460	607470	607480	6074100				
60	75	60	75	607530	607535	607540	607550	607560	607570	607580	6075100				
63	75	63	75		637535	637540	637550	637560	637570	637580	6375100				
65	80	65	80		658035	658040	658050	658060	658070	658080	6580100				
70	85	70 ^{+0.060 +0.030}	85		708535	708540	708550	708560	708570	708580	7085100				
70	90	70	90		709035	709040	709050	709060	709070	709080	7090100				
75	90	75	90			759040	759050	759060	759070	759080	7590100				
75	95	75	95			759540	759550	759560	759570	759580	7595100	7595120			
80	96	80	96 ^{+0.035 +0.013}			809640	809650	809660	809670	809680	8096100	8096120	8096130		
80	100	80	100			8010040	8010050	8010060	8010070	8010080	80100100	80100120	80100130	80100140	
90	110	90	110				9011050	9011060	9011070	9011080	90110100	90110120	90110130	90110140	
100	120	100	120					10012060	10012070	10012080	100120100	100120120	100120130	100120140	
110	130	110 ^{+0.071 +0.036}	130							11013080	110130100	110130120	110130130	110130140	
120	140	120	140							12014080	120140100	120140120	120140130	120140140	
125	145	125	145								125145100	125145120	125145130	125145140	
130	150	130	150 ^{+0.040 +0.015}								130150100	130150120	130150130	130150140	130150150
140	160	140 ^{+0.083 +0.043}	160								140160100	140160120	140160130	140160140	140160150
150	170	150	170								150170100	150170120	150170130	150170140	150170150
160	180	160	180								160180100	160180120	160180130	160180140	160180150



JDB 自润滑翻边轴承标准公制尺寸 JDB Self-lubricating Flange Bearings Standard Metric Size



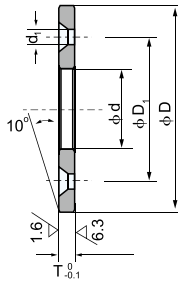
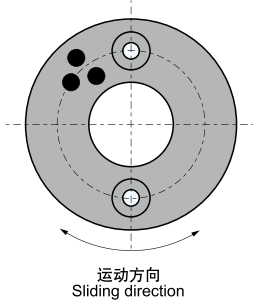
单位Unit: mm

d	D	dE7	Dr6	F	L ₁	L												
						15	20	25	30	35	40	50	60	80	100			
10	14	10	14	22	2	1015	1020											
12	18	12	18	25		1215	1220											
13	19	13	19	26		1315	1320											
14	20	14	20	27	3	1415	1420	1425										
15	21	15	21	28		1515	1520	1525	1530									
16	22	16	22	29		1615	1620	1625	1630									
20	30	20	30	40			2020	2025	2030	2035								
25	35	25	35	45			2520	2525	2530	2535	2540							
30	40	30	40	50			3020	3025	3030	3035	3040	3050						
35	45	35	45	60	5			3525	3530	3535	3540	3550						
40	50	40	50	65					4030	4035	4040	4050						
45	55	45	55	70					4530	4535	4540	4550	4560					
50	60	50	60	75						5035	5040	5050	5060					
55	65	55	65	80							5540	5550	5560					
60	75	60	75	90							6040	6050	6060	6080				
70	85	70	85	105	7.5							7050	7060	7080				
75	90	75	90	110								7550	7560	7580	75100			
80	100	80	100	120									8060	8080	80100			
90	110	90	110	130										9060	9080	90100		
100	120	100	120	150	10									10060	10080	100100		
120	140	120	140	170										12060	12080	120100		



JDB 自润滑止推垫片标准公制尺寸

JDB Self-lubricating Thrust Washer Standard Metric Size

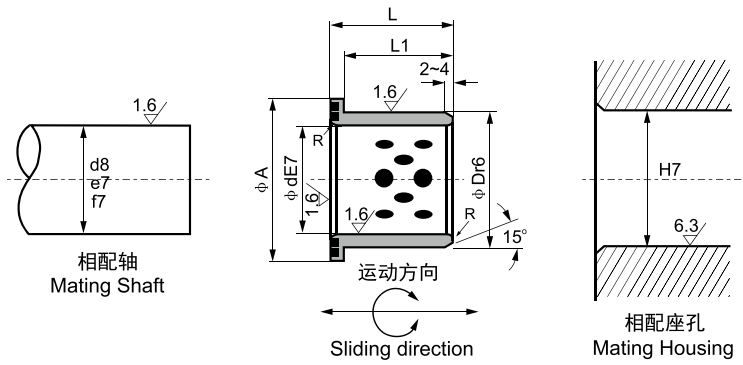


单位Unit: mm

型号规格 Standard No.	φ d	φ D	T _{-0.10} ⁰	φ D ₁	螺孔 Bolt Hole		孔数 Bore Number
					平头螺钉 Crop Bolt	φ d ₁	
JDB-JTW-10	10.2	30		20			
JDB-JTW-12	12.2						
JDB-JTW-13	13.2	40		28			
JDB-JTW-14	14.2		3		M3	3.5	
JDB-JTW-15	15.2						
JDB-JTW-16	16.2						
JDB-JTW-18	18.2	50		35			2
JDB-JTW-20	20.2						
JDB-JTW-25	25.2	55	5	40	M5	6	
JDB-JTW-30	30.2	60		45			
JDB-JTW-35	35.2	70		50			
JDB-JTW-40	40.2	80	7	60			
JDB-JTW-45	45.3	90		70	M6	7	
JDB-JTW-50	50.3	100		75			
JDB-JTW-55	55.3	110		85			
JDB-JTW-60	60.3	120	8	90			
JDB-JTW-65	65.3	125		95			
JDB-JTW-70	70.3	130		100	M8	9	
JDB-JTW-75	75.3	140		110			4
JDB-JTW-80	80.3	150	10	120			
JDB-JTW-90	90.5	170		140			
JDB-JTW-100	100.5	190		160	M10	11	
JDB-JTW-120	120.5	200		175			



JDB 自润滑翻边轴套标准公制尺寸 JDB Self-lubricant Flange Bushings Standard Metric Size

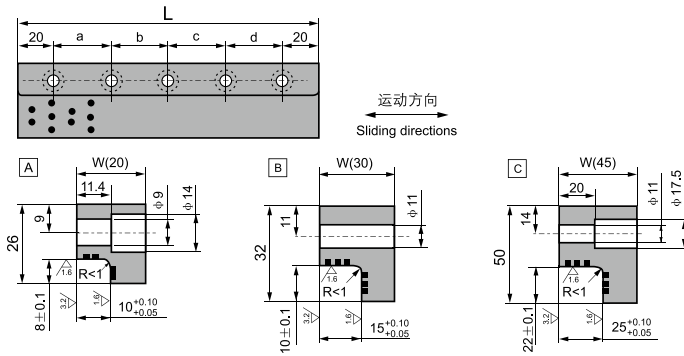


单位unit:mm

型号规格 Standard No.	ϕ d E7	ϕ D r6	ϕ A	L1	L
JDB-CB-12 × 15	12 +0.050 +0.032	18	25 +0.034 +0.023	11	15
JDB-CB-16 × 20	16	22	30 +0.041 +0.028	15	20
JDB-CB-20 × 25	20 +0.061 +0.040	28	36	20	25
JDB-CB-25 × 30	25	33	43	25	30
JDB-CB-30 × 35	30	38	48 +0.050 +0.034	30	35
JDB-CB-40 × 45	40 +0.075 +0.050	50	60	40	45
JDB-CB-50 × 55	50	62	75 +0.060 +0.041	49	55
JDB-CB-60 × 65	60 +0.090 +0.060	74	90 +0.062 +0.043	58	65



JDB 滑板标准公制尺寸 JDB Wear Plate Standard Metric Size



单位Unit: mm²

型号规格 Standard No.	W	L	螺孔 Bolt Hole				螺孔 Size	数量 Q'ty	图示 Sketch
			a	b	c	d			
JDB-JSL-20 × 100	20	100	60	—	—	—	M8	2	A
JDB-JSL-20 × 150		150	55	55	—	—		3	
JDB-JSL-20 × 200		200	55	50	55	—		4	
JDB-JSL-30 × 100	30	100	60	—	—	—	M10	2	B
JDB-JSL-30 × 150		150	55	55	—	—		3	
JDB-JSL-30 × 200		200	55	50	55	—		4	
JDB-JSL-30 × 250	45	250	70	70	70	—	M10	4	C
JDB-JSL-45 × 200		200	55	50	55	—		4	
JDB-JSL-45 × 250		250	70	70	70	—		4	
JDB-JSL-45 × 300	45	300	65	65	65	65	M10	5	C
JDB-JSL-45 × 350		350	80	75	75	80		5	