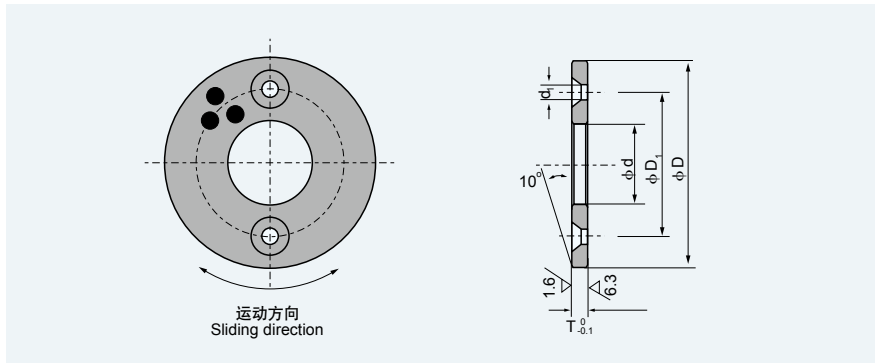


JDB-1UWC 油槽铜合金轴套标准公制尺寸 JDB-1UWC Sump Copper Alloy Bushings Standard Metric Size



单位Unit: mm²

| 型号规格 Standard No. | φ d | φ D | T | 螺孔 Bolt Hole | | | 孔数 Bore Number |
|----------------------|-------|-----|----|------------------|-------------------|------------------|-------------------|
| | | | | φ D ₁ | 平头螺钉 Crop Bolt | φ d ₁ | |
| JDB-JTW-10 | 10.2 | 30 | | 20 | | | |
| JDB-JTW-12 | 12.2 | | | | | | |
| JDB-JTW-13 | 13.2 | 40 | | 28 | | | |
| JDB-JTW-14 | 14.2 | | 3 | | M3 | 3.5 | |
| JDB-JTW-15 | 15.2 | | | | | | |
| JDB-JTW-16 | 16.2 | | | | | | |
| JDB-JTW-18 | 18.2 | 50 | | 35 | | | 2 |
| JDB-JTW-20 | 20.2 | | | | | | |
| JDB-JTW-25 | 25.2 | 55 | | 40 | M5 | 6 | |
| JDB-JTW-30 | 30.2 | 60 | 5 | 45 | | | |
| JDB-JTW-35 | 35.2 | 70 | | 50 | | | |
| JDB-JTW-40 | 40.2 | 80 | | 60 | | | |
| JDB-JTW-45 | 45.3 | 90 | 7 | 70 | M6 | 7 | |
| JDB-JTW-50 | 50.3 | 100 | | 75 | | | |
| JDB-JTW-55 | 55.3 | 110 | | 85 | | | |
| JDB-JTW-60 | 60.3 | 120 | 8 | 90 | | | |
| JDB-JTW-65 | 65.3 | 125 | | 95 | | | |
| JDB-JTW-70 | 70.3 | 130 | | 100 | M8 | 9 | |
| JDB-JTW-75 | 75.3 | 140 | | 110 | | | 4 |
| JDB-JTW-80 | 80.3 | 150 | | 120 | | | |
| JDB-JTW-90 | 90.5 | 170 | 10 | 140 | | | |
| JDB-JTW-100 | 100.5 | 190 | | 160 | M10 | 11 | |
| JDB-JTW-120 | 120.5 | 200 | | 175 | | | |