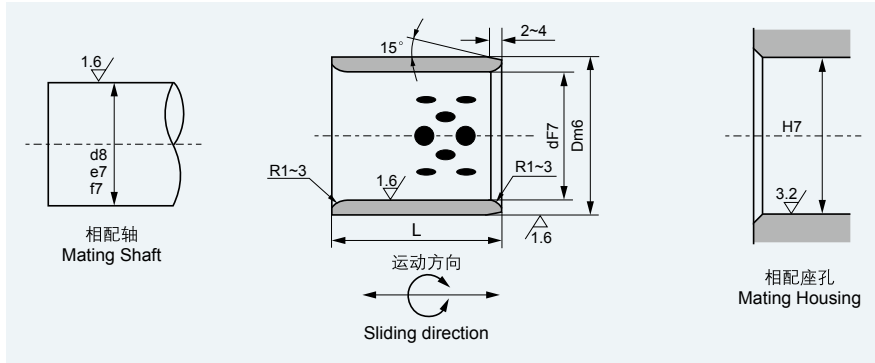


# JDB-1U 油槽铜合金轴套标准公制尺寸 JDB-1U Sump Copper Alloy Bushings Standard Metric Size



单位Unit: mm<sup>2</sup>

d	D	d F7	D m6	L <sup>-0.10</sup> / <sub>-0.30</sub>															
				8	10	12	15	16	20	25	30	35	40	50	60	70	80		
8	12	8	12	081208	081210	081212	081215												
10	14	10 <sup>+0.028</sup> / <sub>+0.013</sub>	14 <sup>+0.018</sup> / <sub>+0.007</sub>	101408	101410	101412	101415	101416	101420										
12	18	12	18		121810	121812	121815	121816	121820	121825	121830								
13	19	13	19		131910	131912	131915	131916	131920	131925	131930								
14	20	14	20		142010	142012	142015	142016	142020	142025	142030								
15	21	15 <sup>+0.034</sup> / <sub>+0.016</sub>	21		152110	152112	152115	152116	152120	152125	152130	152135							
16	22	16	22 <sup>+0.021</sup> / <sub>+0.008</sub>		162210	162212	162215	162216	162220	162225	162230	162235	162240						
18	24	18	24		182410	182412	182415	182416	182420	182425	182430	182435	182440						
20	28	20	28		202810	202812	202815	202816	202820	202825	202830	202835	202840	202850					
22	32	22 <sup>+0.041</sup> / <sub>+0.020</sub>	32				223212	223215	223216	223220	223225	223230	223235	223240	223250				
25	33	25	33				253312	253315	253316	253320	253325	253330	253335	253340	253350	253360			
30	38	30	38				303812	303815	303816	303820	303825	303830	303835	303840	303850	303860			
35	45	35	45 <sup>+0.025</sup> / <sub>+0.009</sub>						354520	354525	354530	354535	354540	354550	354560	354570			
40	50	40 <sup>+0.050</sup> / <sub>+0.025</sub>	50						405020	405025	405030	405035	405040	405050	405060	405070	405080		
45	55	45	55								455530	455535	455540	455550	455560	455570	455580		
50	60	50	60								506030	506035	506040	506050	506060	506070	506080		